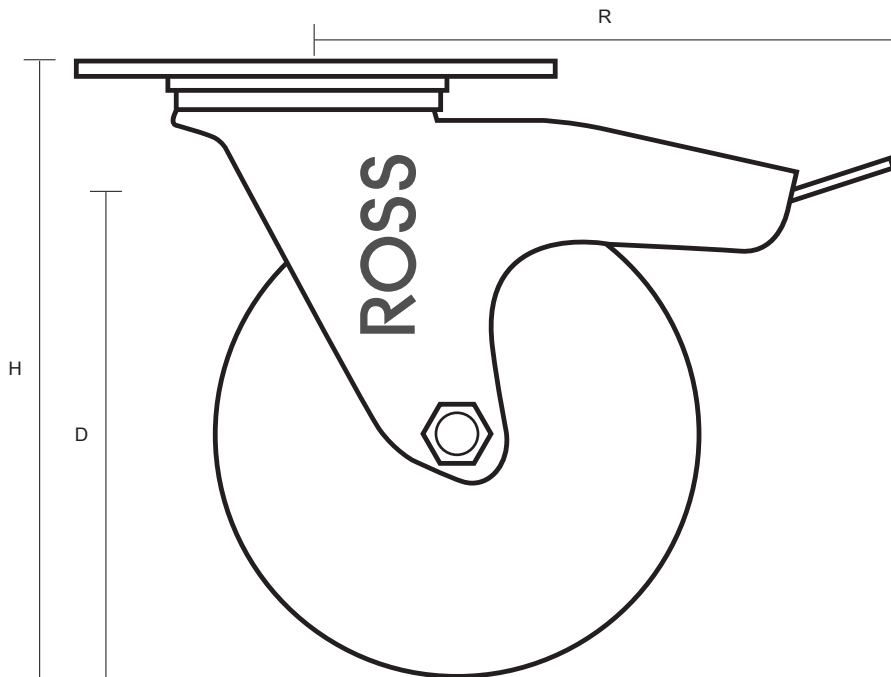
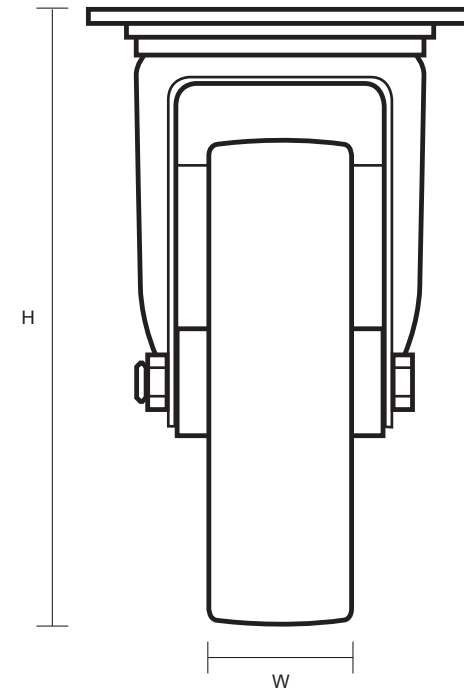
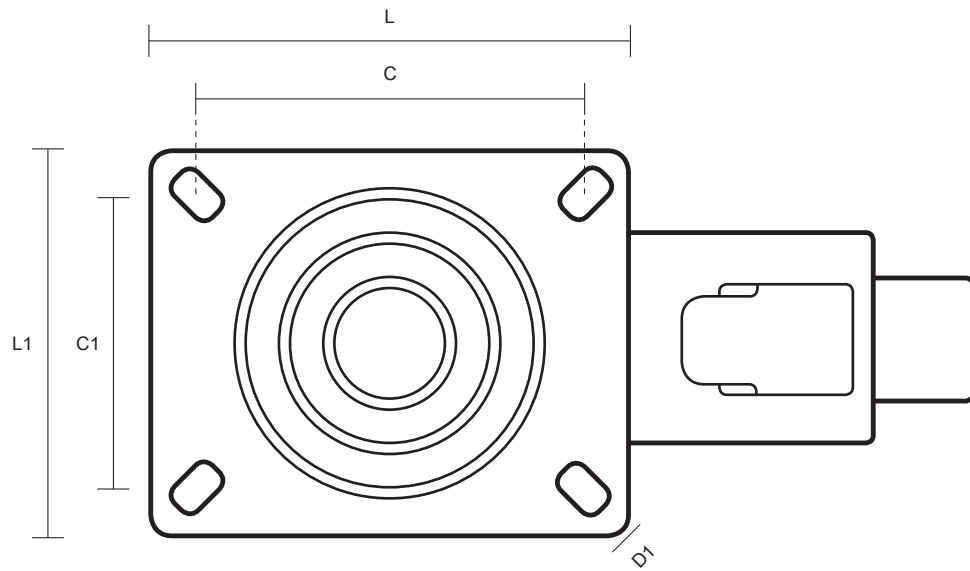


100-2260-PV/SWB - (100mm Swivel Braked Castor Black Rubber Wheel)



Castor Dimensions - Key

| | | |
|----|--------------------------------|-------|
| D | Wheel Diameter (mm) | 100mm |
| L | Plate Dimension Length (mm) | 99mm |
| L1 | Plate Dimension Width (mm) | 80mm |
| C | Plate Hole Centers length (mm) | 80mm |
| C1 | Plate Hole Centers width (mm) | 60mm |
| D1 | Plate Hole Diameter (mm) | 8mm |
| H | Total Castor Height (mm) | 127mm |
| W | Tread Width (mm) | 23mm |
| R | Swivel Radius (mm) | 120mm |