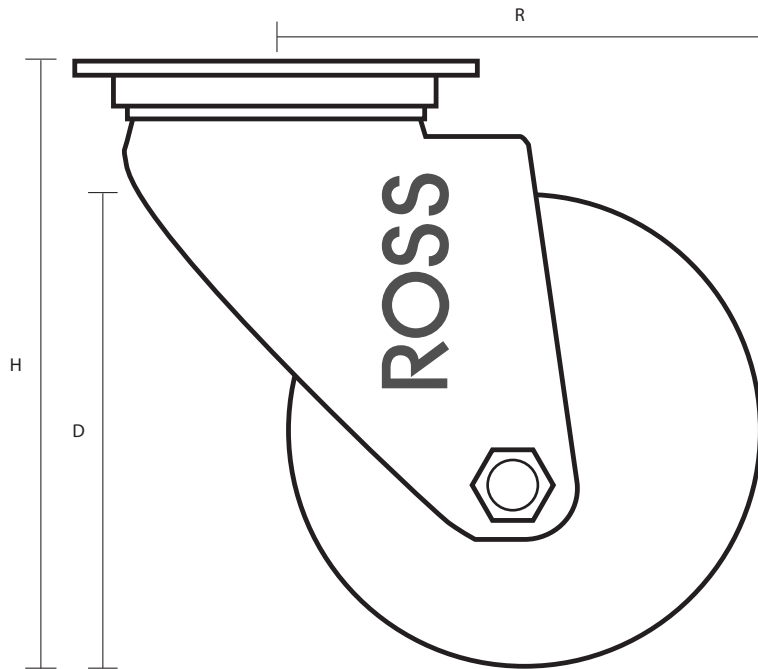
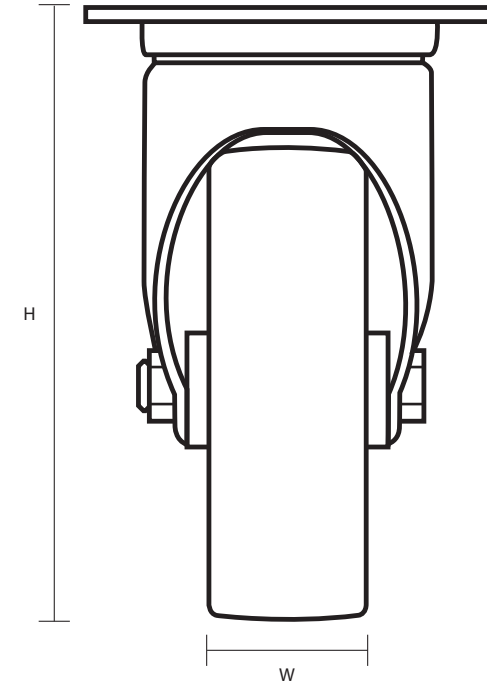
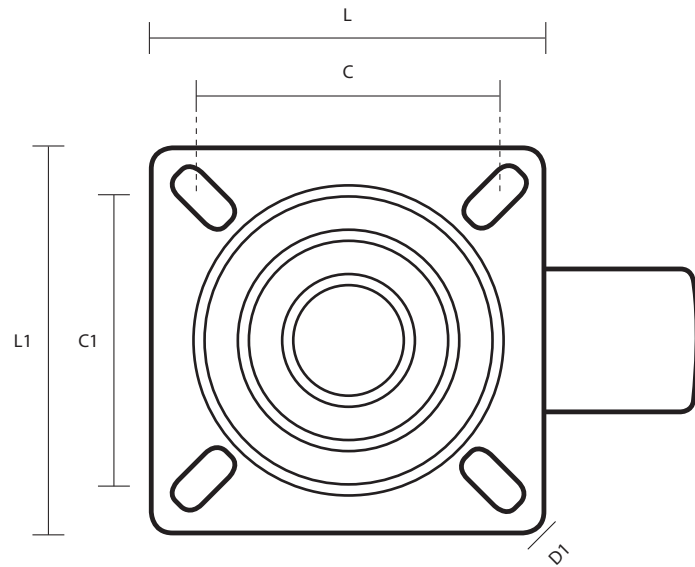


100-314-R (100mm Light Duty Swivel Top Plate Castor Grey Rubber Wheel)



| Castor Dimensions - Key |                                |         |
|-------------------------|--------------------------------|---------|
| D                       | Wheel Diameter                 | 100mm   |
| L                       | Plate Dimension Length (mm)    | 60mm    |
| L1                      | Plate Dimension Width (mm)     | 60mm    |
| C                       | Plate Hole Centres length (mm) | 48/38mm |
| C1                      | Plate Hole Centres width (mm)  | 48/38mm |
| D1                      | Plate Hole Diameter (mm)       | 6mm     |
| H                       | Total Castor Height (mm)       | 124mm   |
| W                       | Tread Width (mm)               | 26mm    |
| R                       | Swivel Radius (mm)             | 75mm    |