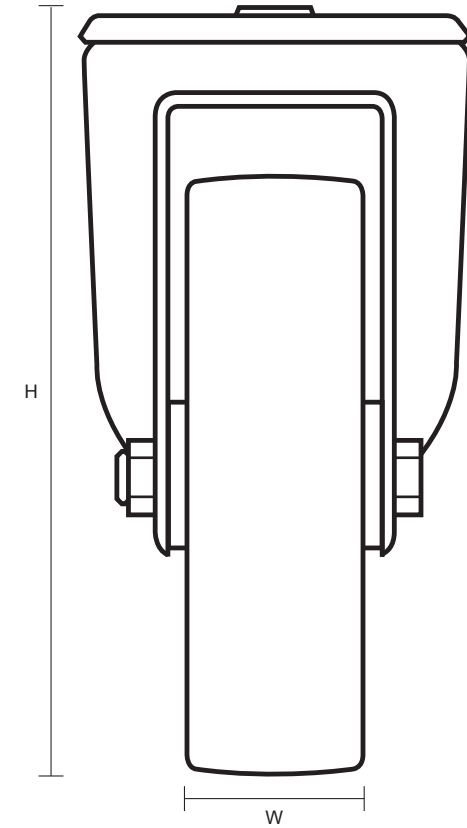
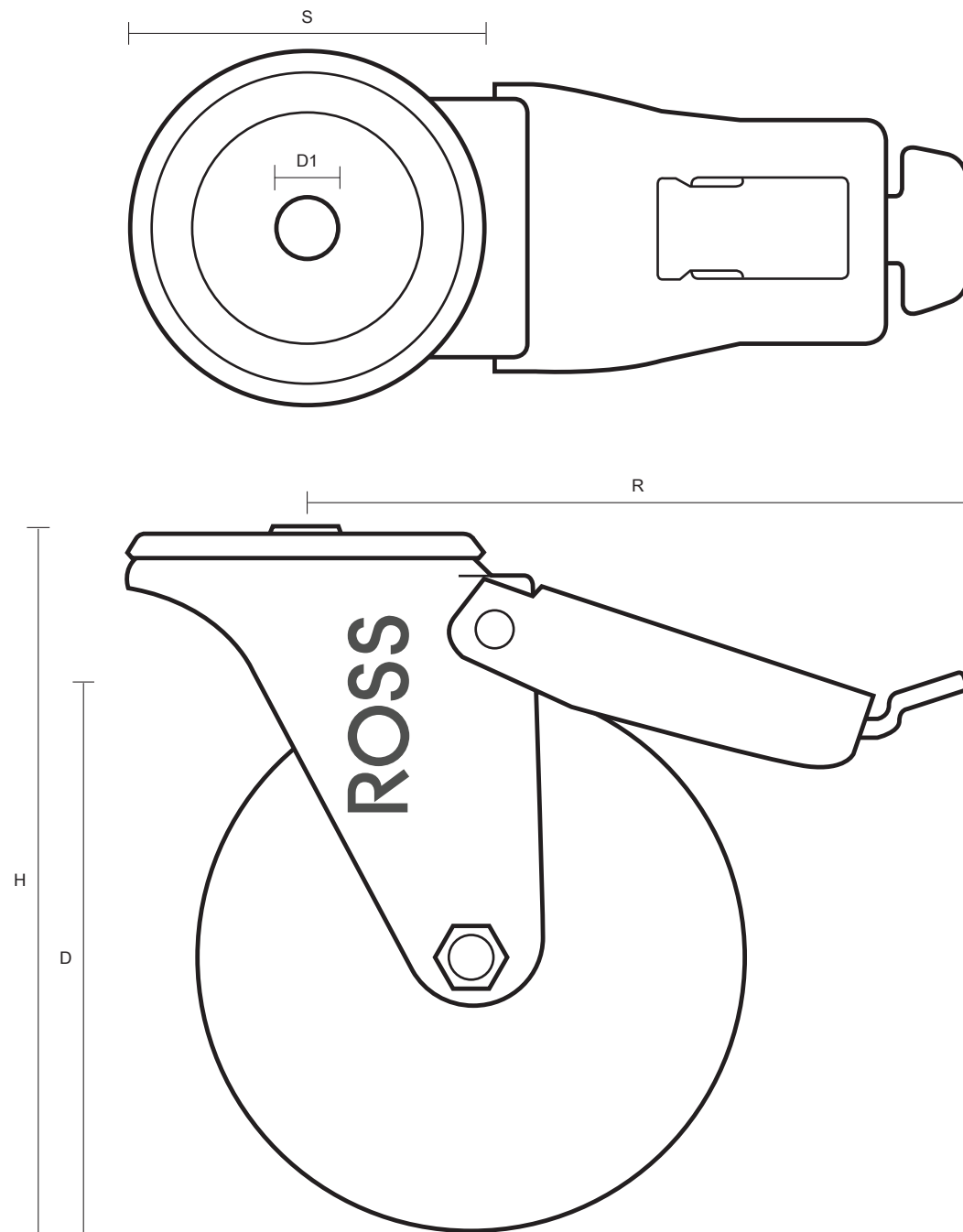


160-4000-NYB/SWB (160mm Swivel Braked Castor White Nylon Wheel)



Castor Dimensions - Key

D	Wheel Diameter (mm)	160mm
L	Plate Dimension Length (mm)	n/a
L1	Plate Dimension Width (mm)	n/a
C	Plate Hole Centers length (mm)	n/a
C1	Plate Hole Centers width (mm)	n/a
D1	Bolt Hole Diameter (mm)	12mm
H	Total Castor Height (mm)	195mm
W	Tread Width (mm)	40mm
R	Swivel Radius (mm)	167mm
S	Swivel race Diameter (mm)	86mm