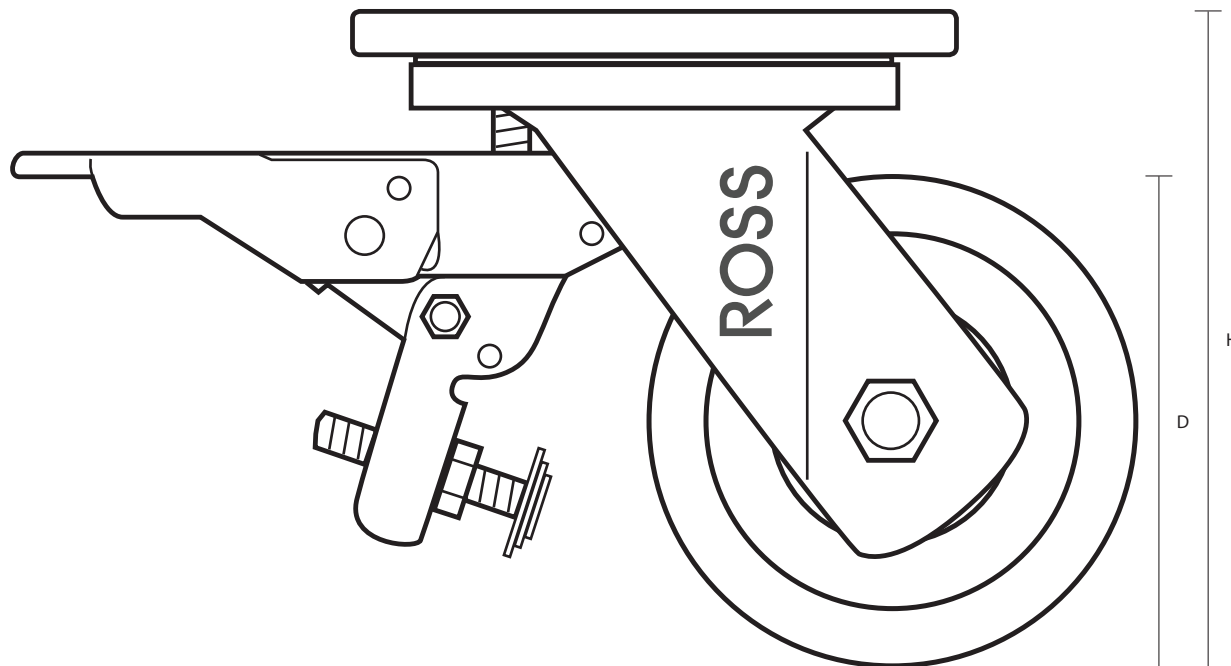
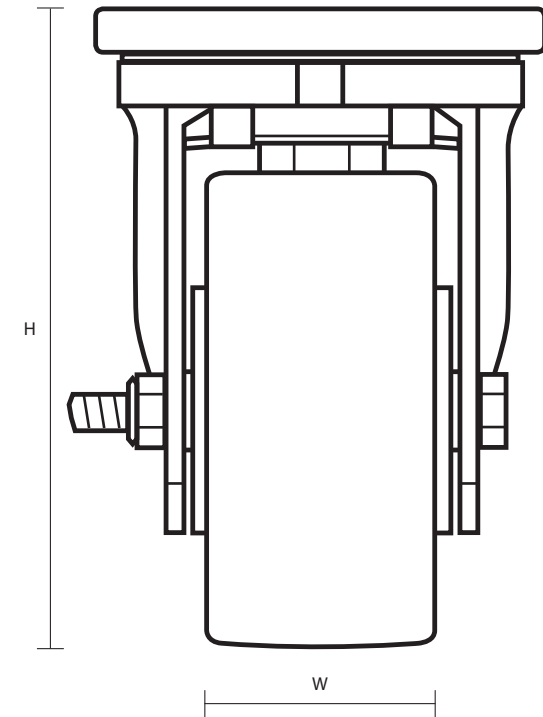
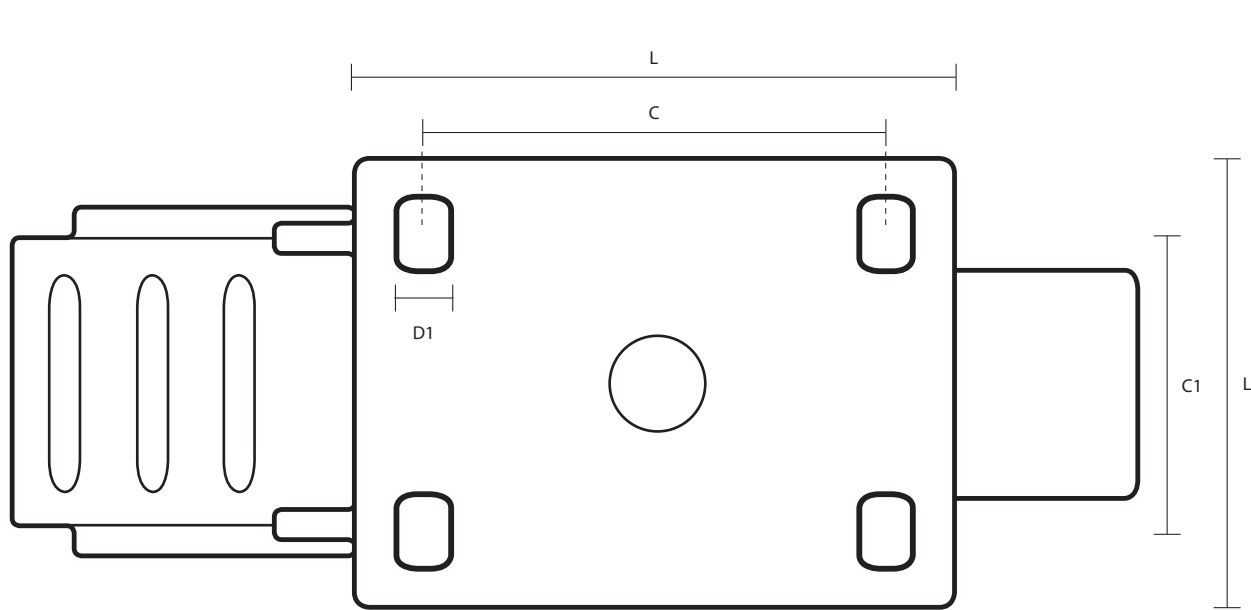


160-6000-SUB/SWB (160mm Swivel Braked Top Plate Castor Polyurethane Tyred Wheel)



Castor Dimensions - Key		
D	Wheel Diameter	160mm
L	Plate Dimension Length (mm)	135mm
L1	Plate Dimension Width (mm)	110mm
C	Plate Hole Centers length (mm)	105mm
C1	Plate Hole Centers width (mm)	80/75mm
D1	Plate Hole Diameter (mm)	11mm
H	Total Castor Height	205mm
W	Tread Width (mm)	60mm
R	Swivel Radius (mm)	157mm