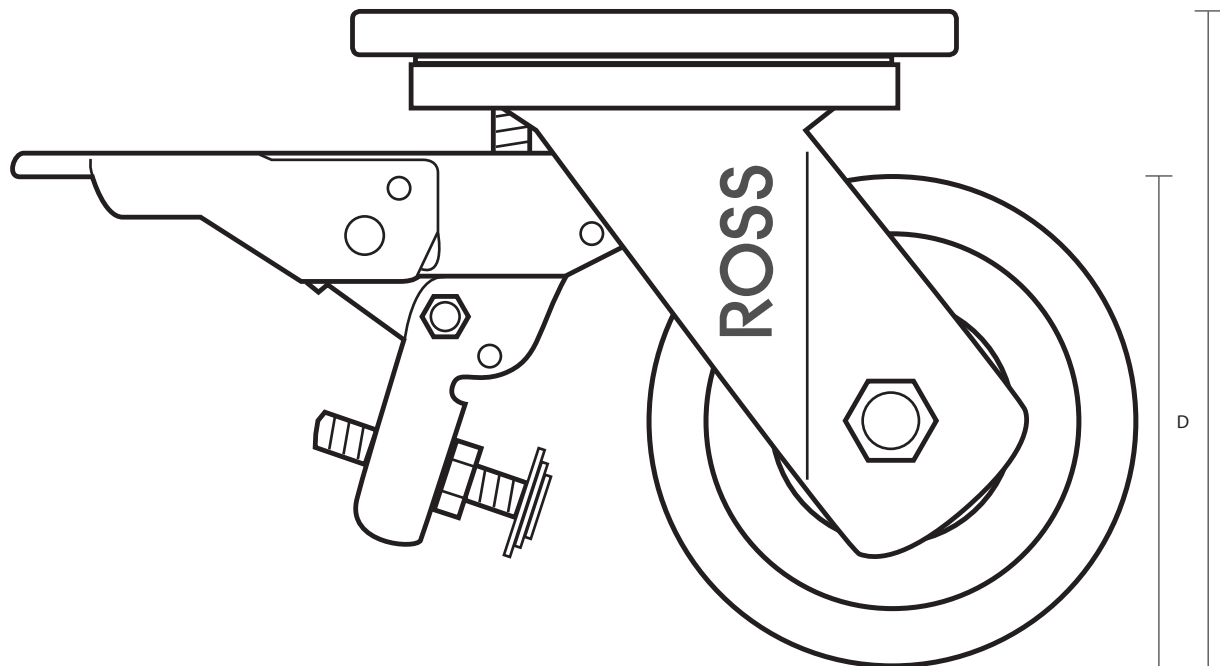
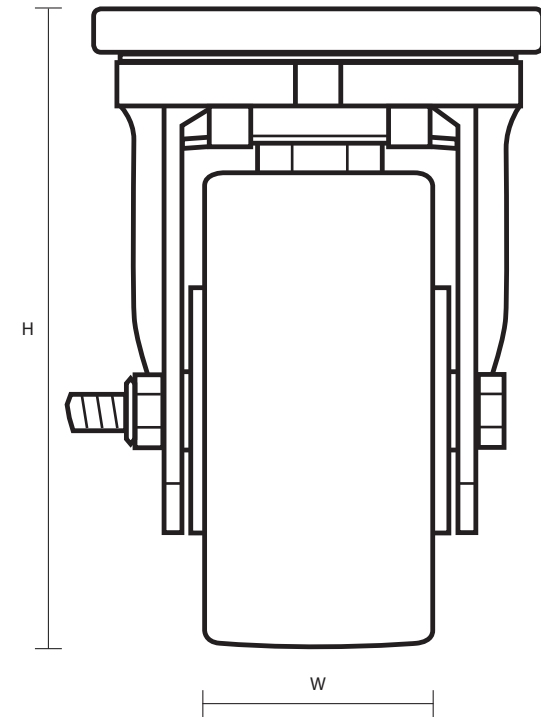
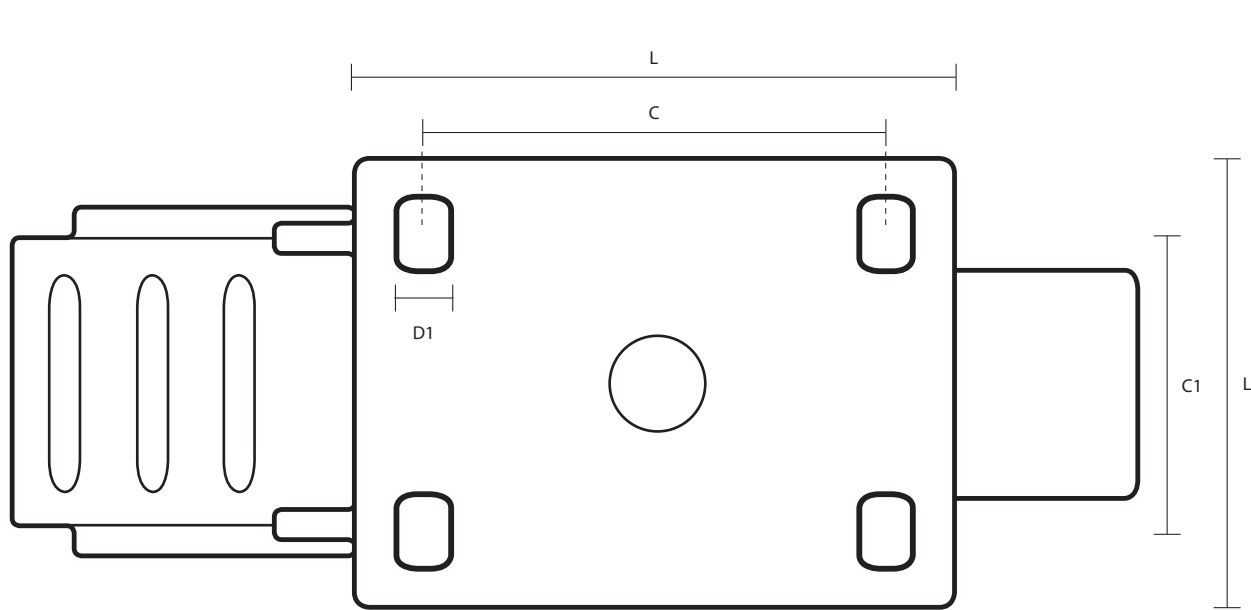


250-6000-SUB/SWB (250mm Swivel Braked Top Plate Castor Polyurethane Tyred Wheel)



Castor Dimensions - Key		
D	Wheel Diameter	250mm
L	Plate Dimension Length (mm)	200mm
L1	Plate Dimension Width (mm)	160mm
C	Plate Hole Centers length (mm)	160mm
C1	Plate Hole Centers width (mm)	120mm
D1	Plate Hole Diameter (mm)	14mm
H	Total Castor Height	305mm
W	Tread Width (mm)	80mm
R	Swivel Radius (mm)	219mm