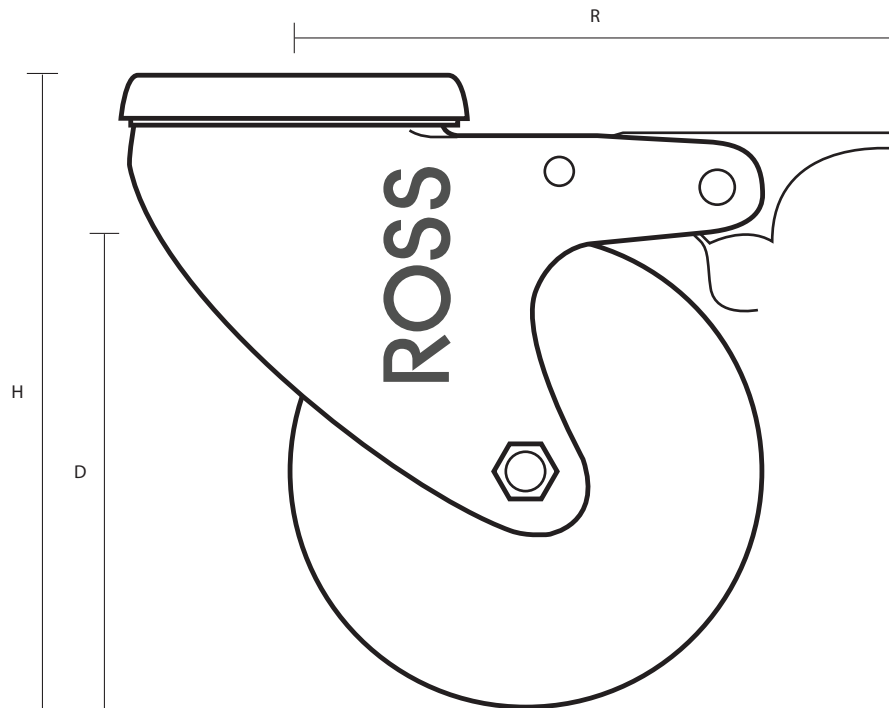
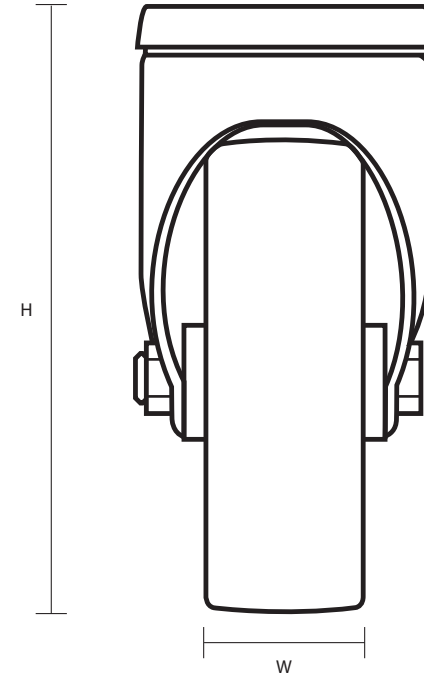
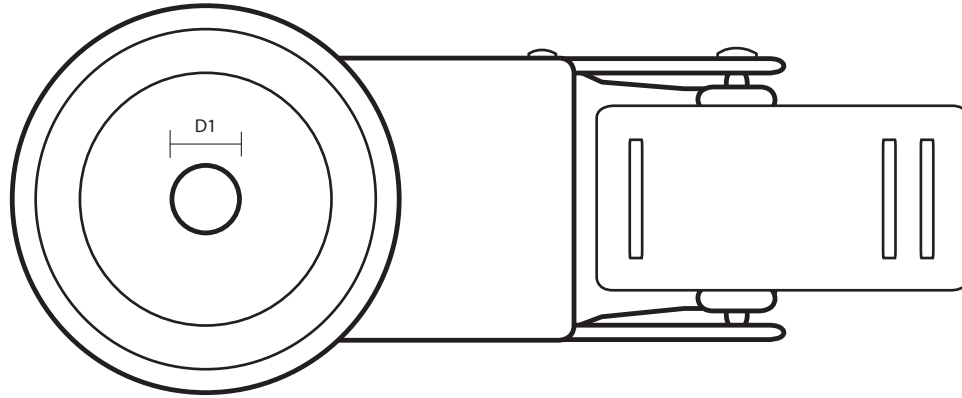


50-310-R/SWB (50mm Light Duty Bolt Hole Braked Castor Grey Rubber Wheel)



Castor Dimensions - Key

D	Wheel Diameter	50mm
L	Plate Dimension Length (mm)	N/A
L1	Plate Dimension Width (mm)	N/A
C	Plate Hole Centres length (mm)	N/A
C1	Plate Hole Centres width (mm)	N/A
D1	Plate Hole Diameter (mm)	10mm
H	Total Castor Height (mm)	73mm
W	Tread Width (mm)	22mm
R	Swivel Radius (mm)	85mm