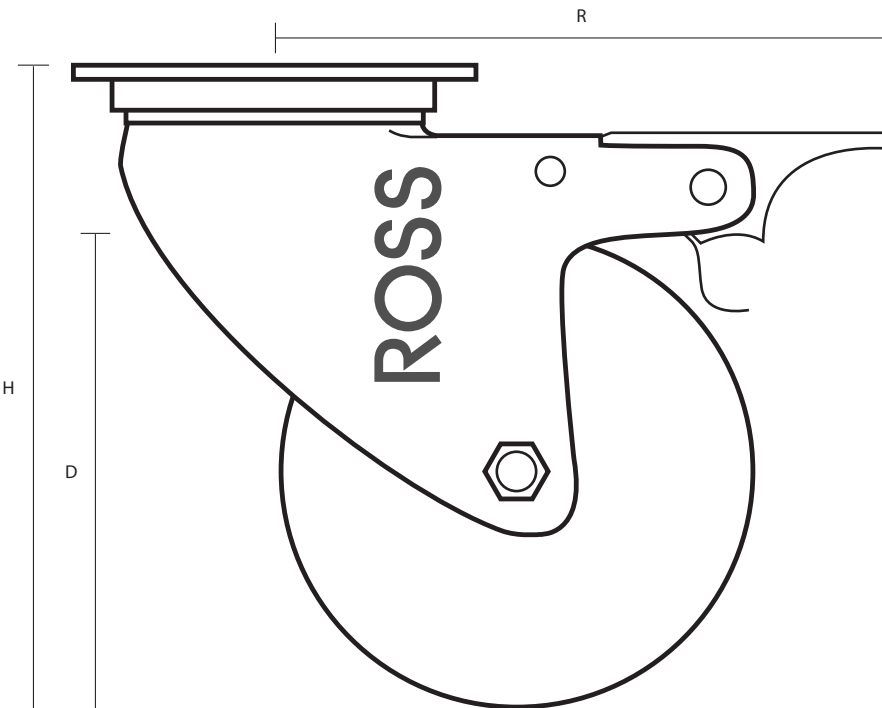
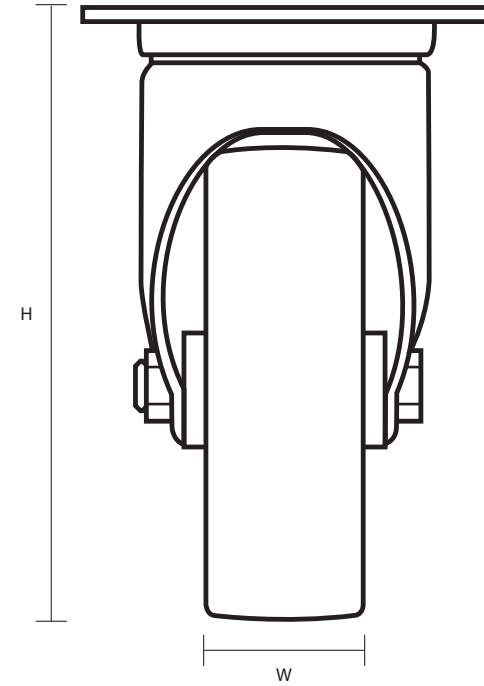
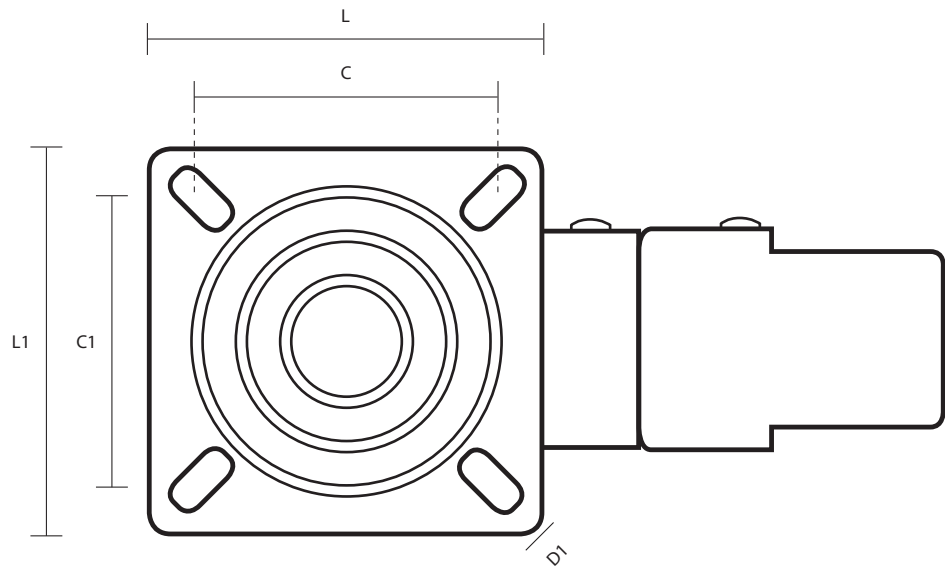


50-314-R/SWB (50mm Light Duty Swivel Braked Top Plate castor Grey Rubber Wheel)



Castor Dimensions - Key

| | | |
|----|--------------------------------|---------|
| D | Wheel Diameter | 50mm |
| L | Plate Dimension Length (mm) | 60mm |
| L1 | Plate Dimension Width (mm) | 60mm |
| C | Plate Hole Centres length (mm) | 48/38mm |
| C1 | Plate Hole Centres width (mm) | 48/38mm |
| D1 | Plate Hole Diameter (mm) | 6mm |
| H | Total Castor Height (mm) | 72mm |
| W | Tread Width (mm) | 22mm |
| R | Swivel Radius (mm) | 85mm |