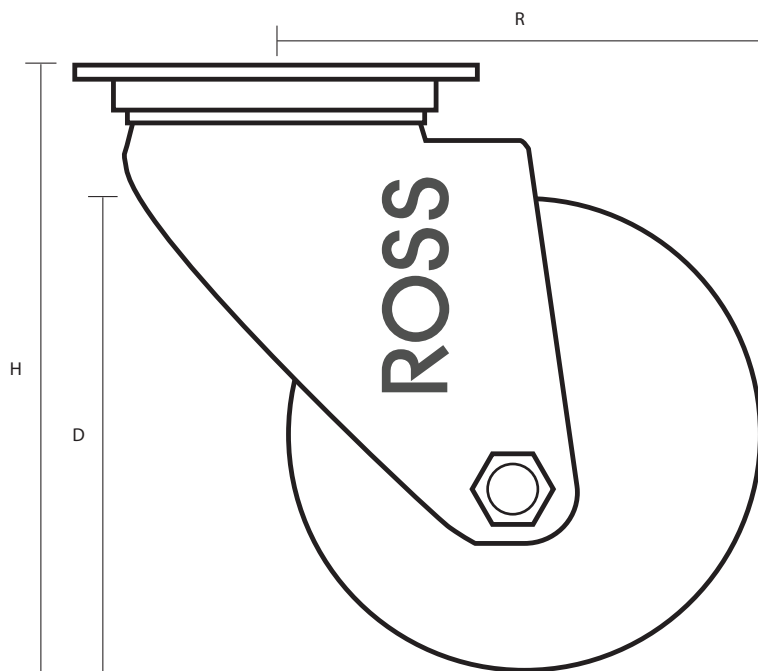
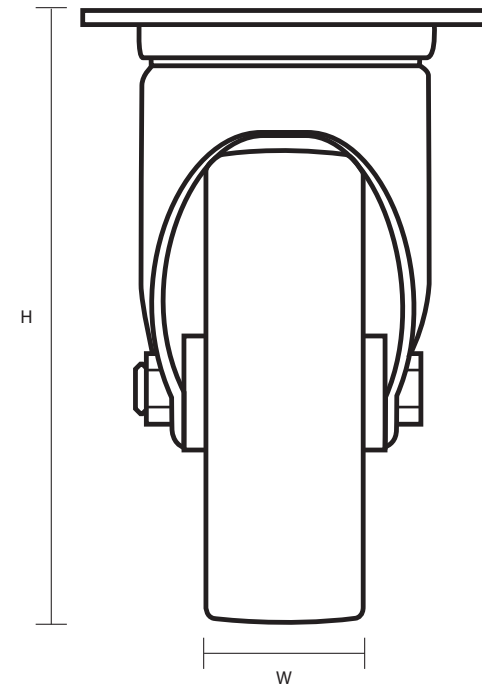
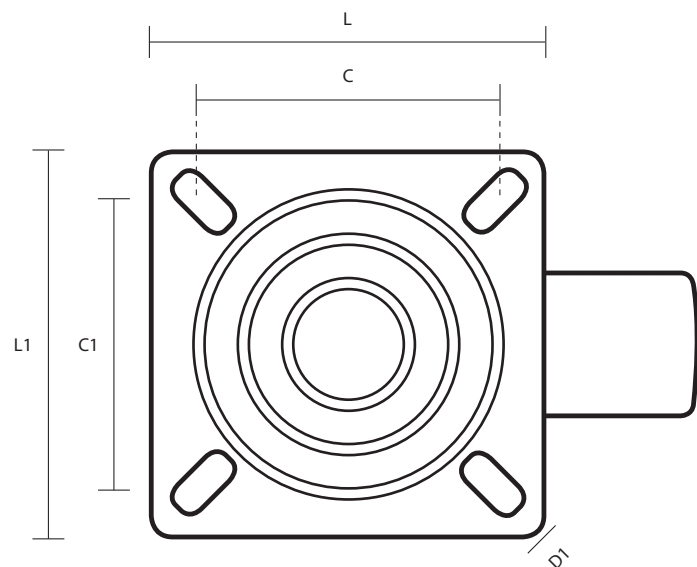


50-314-R (50mm Light Duty Swivel Top Plate Castor Grey Rubber Wheel)



Castor Dimensions - Key

D	Wheel Diameter	50mm
L	Plate Dimension Length (mm)	60mm
L1	Plate Dimension Width (mm)	60mm
C	Plate Hole Centres length (mm)	48/38mm
C1	Plate Hole Centres width (mm)	48/38mm
D1	Plate Hole Diameter (mm)	6mm
H	Total Castor Height (mm)	72mm
W	Tread Width (mm)	22mm
R	Swivel Radius (mm)	45mm