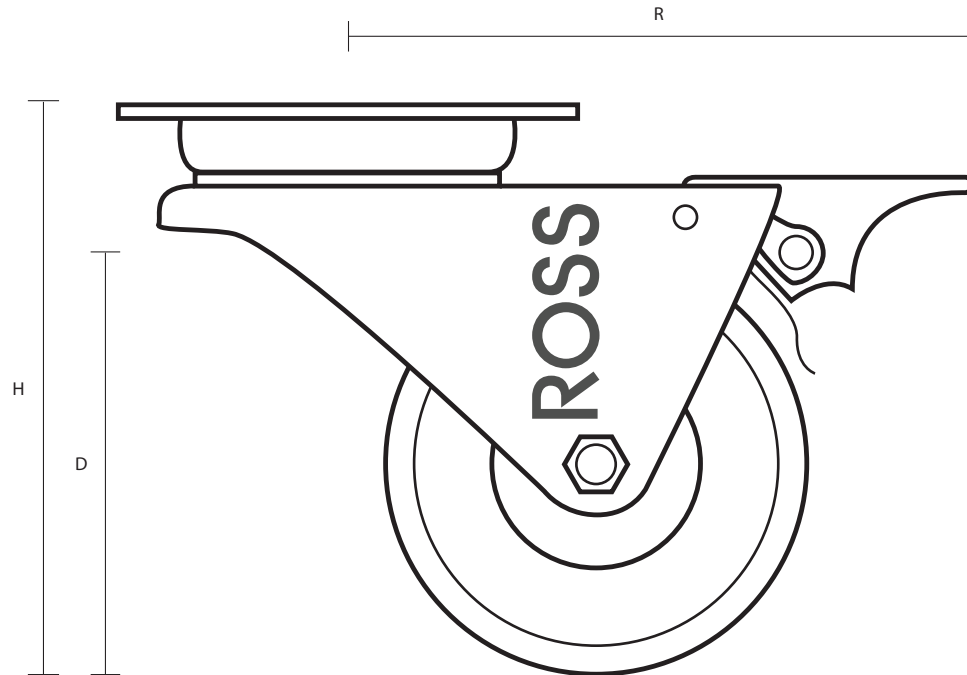
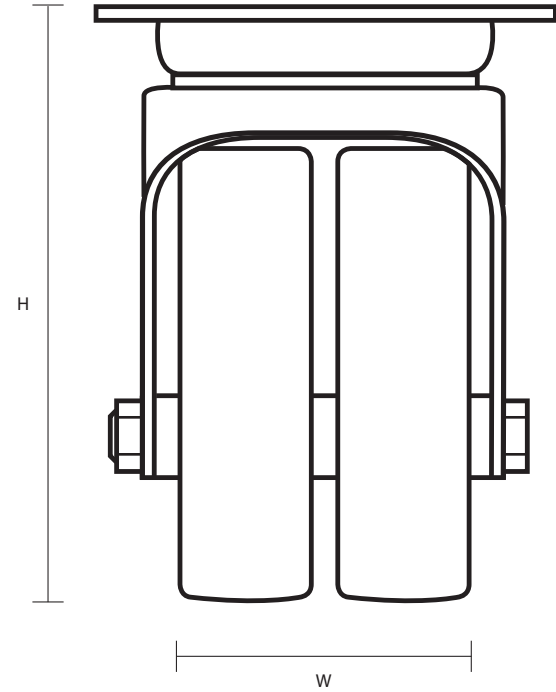
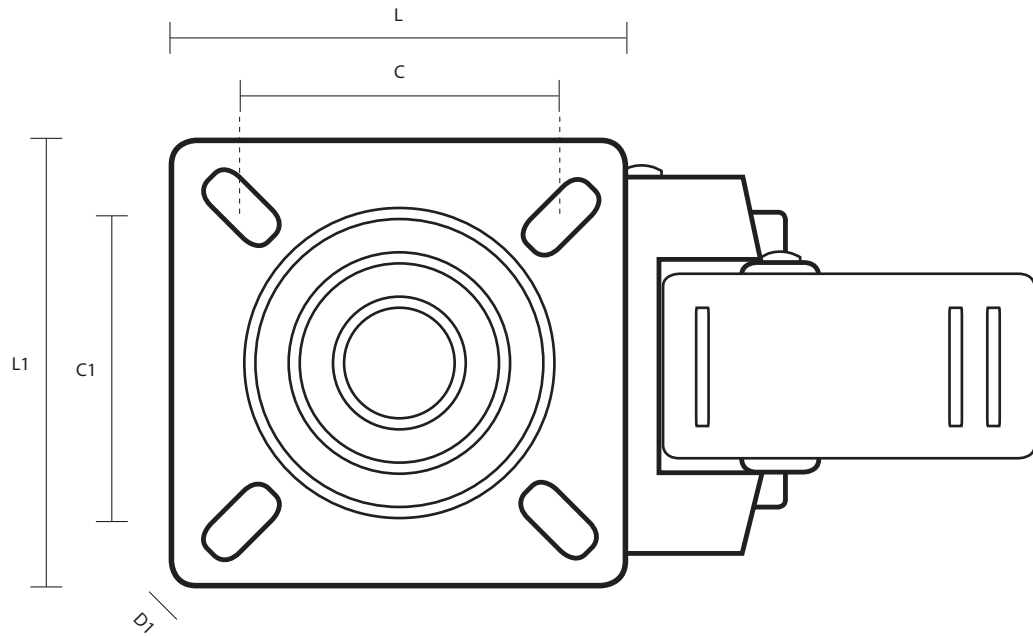


50-360-P/FP/SWB (50mm Light Duty Twin Wheel Braked Castor Black Polypropylene Wheel)



Castor Dimensions - Key

D	Wheel Diameter	50mm
L	Plate Dimension Length (mm)	60mm
L1	Plate Dimension Width (mm)	60mm
C	Plate Hole Centers length (mm)	48/38mm
C1	Plate Hole Centers width (mm)	48/38mm
D1	Plate Hole Diameter (mm)	6mm
H	Total Castor Height	72mm
W	Tread Width (mm)	38mm
R	Swivel Radius (mm)	82mm