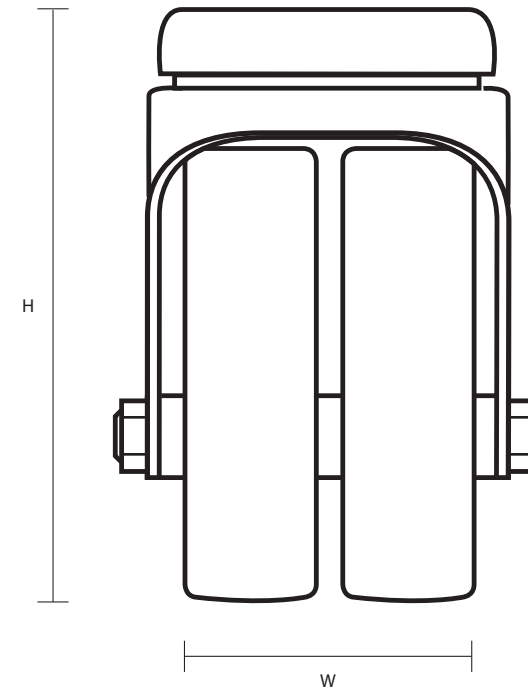
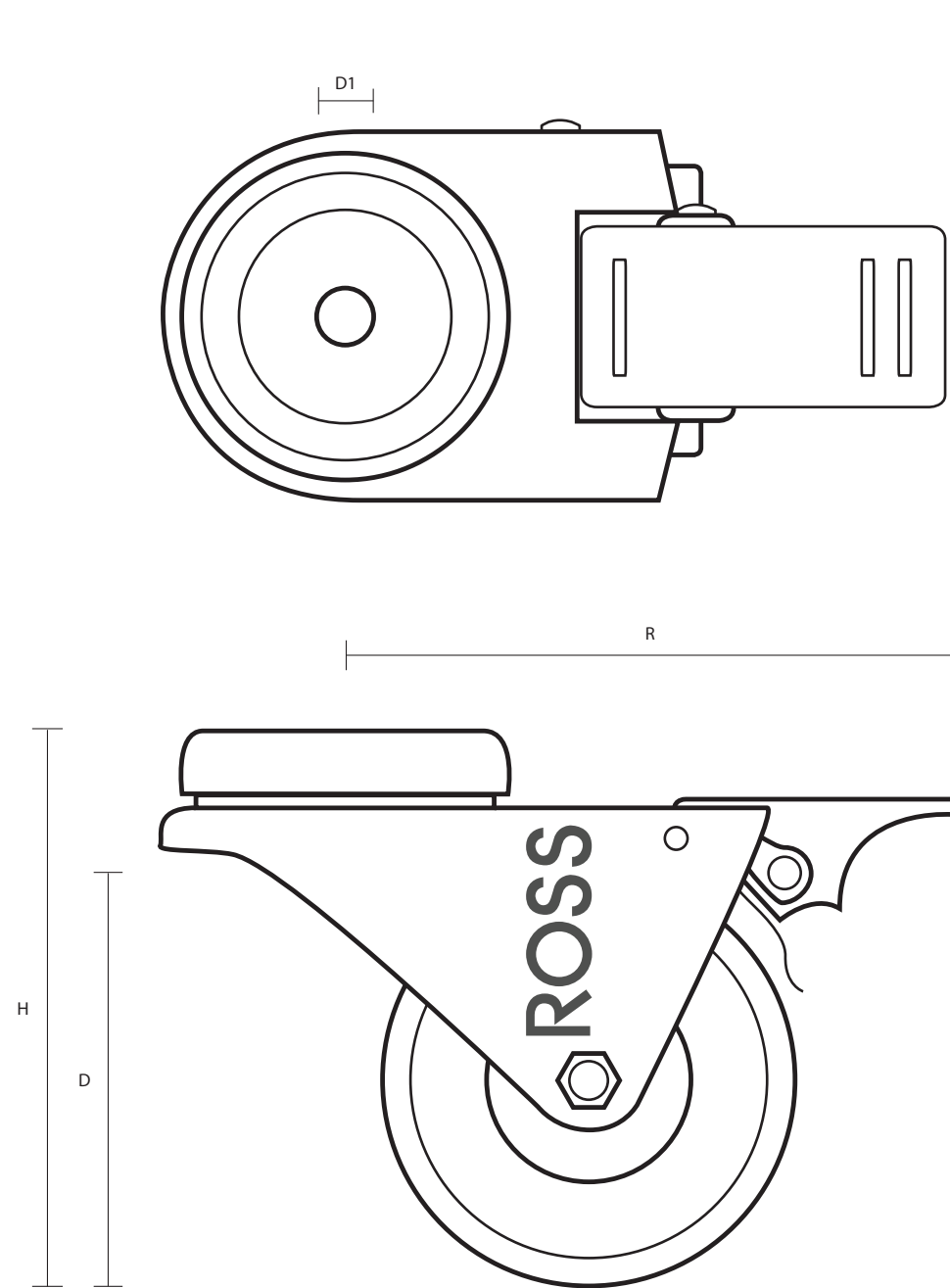


50-360-P/SWB/BH10 (50mm Light Duty Twin Wheel Castor Black Polypropylene Wheel)



Castor Dimensions - Key

D	Wheel Diameter	50mm
L	Plate Dimension Length (mm)	N/A
L1	Plate Dimension Width (mm)	N/A
C	Plate Hole Centers length (mm)	N/A
C1	Plate Hole Centers width (mm)	N/A
D1	Plate Hole Diameter (mm)	10mm
H	Total Castor Height	72mm
W	Tread Width (mm)	38mm
R	Swivel Radius (mm)	82mm