

## Free Swinging or Detent Plastic Hinge with Caps

### Material

High impact resistant thermoplastic

### Finish

Matt

### Colour

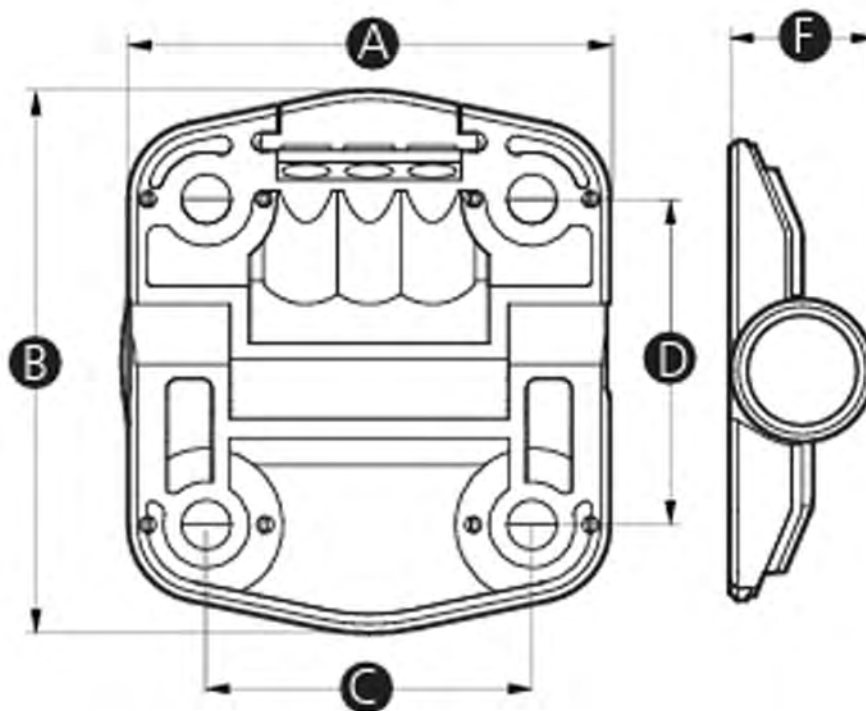
Black.

### Function

Select one of the available detent options to allow doors to be held open at a predetermined opening angle. Secure, snap-on caps conceal mounting screws



### Dimensions

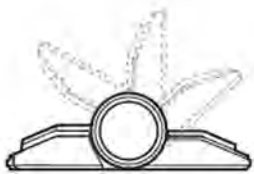


## Technical details

Part No.	A	B	C	D	E	F	Hole Size	Detent	Detent angle
HI1451FS	51	57	34	34	-	18	5.2	None	-
HI1480D	51	57	34	34	-	18	5.2	Yes	80
HI14115D	51	57	34	34	-	18	5.2	Yes	115
HI14150D	51	57	34	34	-	18	5.2	Yes	150

Part No.	Hinge positioning torque (Nm)	Screw	Radial Load (N)	Axial Load (N)	Recommended tightening torque (Nm)	Approx. shear force per screw (kN)
HI1451FS	-	M5	450	450	1.5	0.28
HI1480D	1.2	M5	450	450	1.5	0.28
HI14115D	1.2	M5	450	450	1.5	0.28
HI14150D	1.2	M5	450	450	1.5	0.28

### Detent angle



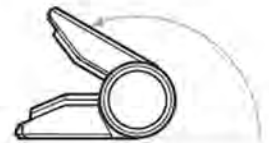
No detent / Free swinging



80°



115°



150°