

Die-cast zinc In-line Detachable Lift-off Hinges

Material

Die cast zinc

Colour

Black

Finish

Powder coated

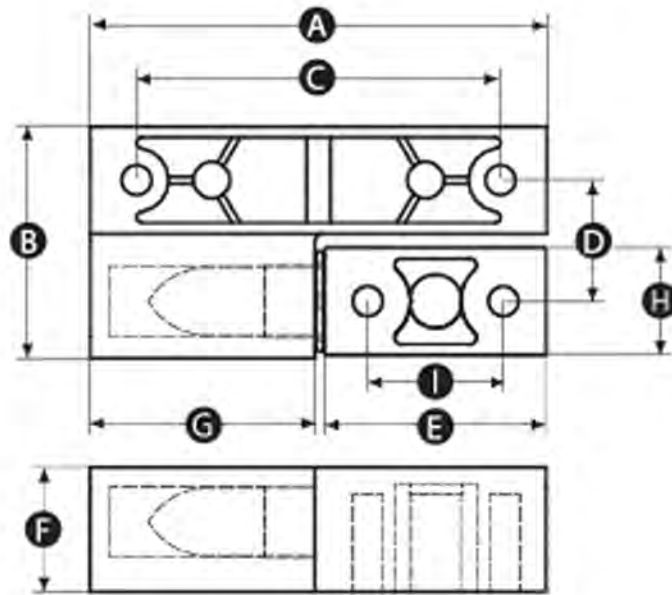


Technical Specifications

Part No.	A	B	C	D	F	G	H	I	Thread Size	Min. thread depth	Chirality
HI11LHM5	64	32.5	51	17	31	31.5	15	19	M5	15	Left-handed
HI11RHM5	64	32.5	51	17	31	31.5	15	19	M5	15	Right-handed

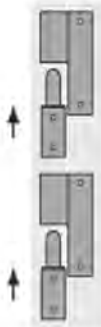
Part No.	Radial load (Nm)	Axial Load (Nm)	Recommended tightening torque (Nm)	Approx. shear force per screw (kN)
HI11LHM5	400	1350	1.5	0.28
HI11RHM5	400	1350	1.5	0.28

Dimensions

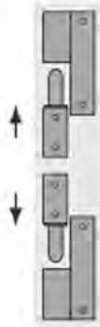


Mounting options

A Install hinges with matching vertical orientation to enable quick, easy and safe removal of doors without the use of tools.



B Install hinges with opposing vertical orientation to enable doors to be permanently mounted.



Chirality

Left-Handed



Frame Door

Right-Handed



Door Frame