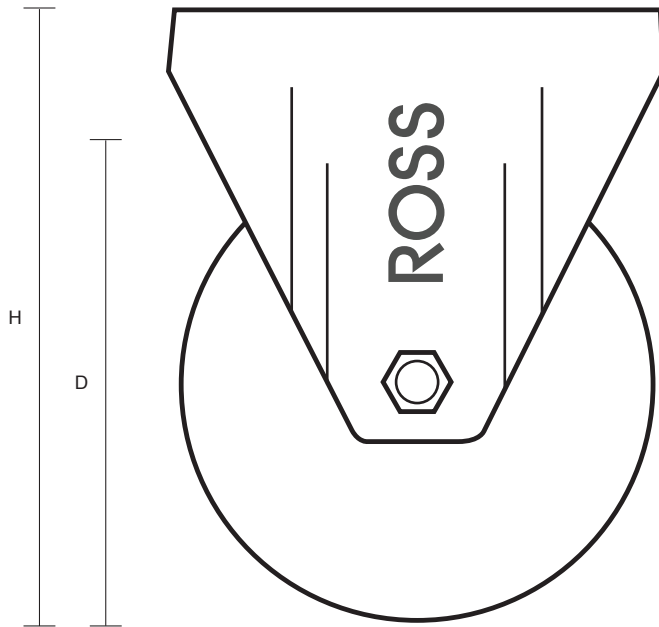
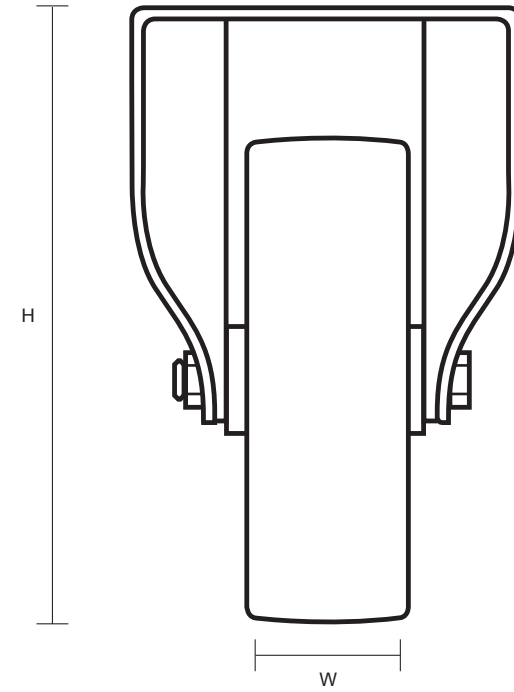
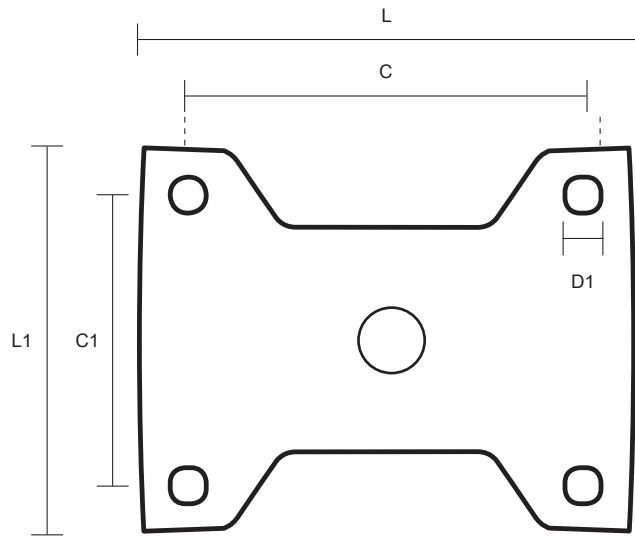


SF-160-NY (160mm Fixed Plate Castor White Nylon Wheel)



| Castor Dimensions - Key |                                |         |
|-------------------------|--------------------------------|---------|
| D                       | Wheel Diameter                 | 160mm   |
| L                       | Plate Dimension Length (mm)    | 140mm   |
| L1                      | Plate Dimension Width (mm)     | 110mm   |
| C                       | Plate Hole Centres length (mm) | 105mm   |
| C1                      | Plate Hole Centres width (mm)  | 80/75mm |
| D1                      | Plate Hole Diameter (mm)       | 10mm    |
| H                       | Total Castor Height (mm)       | 196mm   |
| W                       | Tread Width (mm)               | 40mm    |
| R                       | Swivel Radius (mm)             | N/A     |