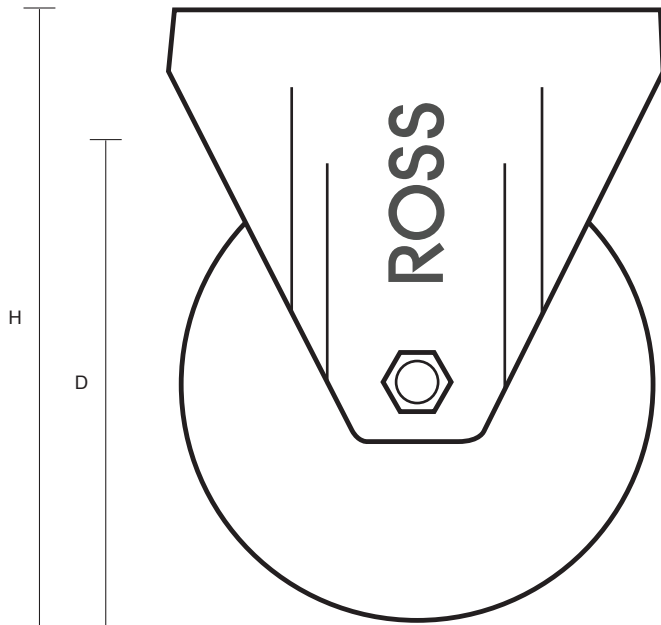
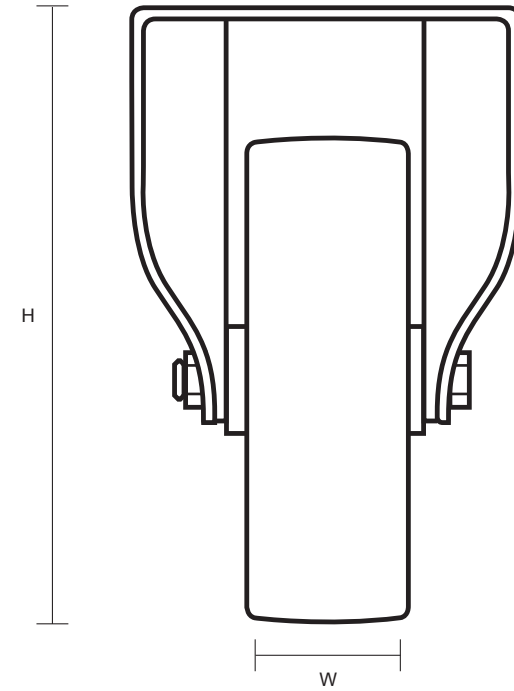
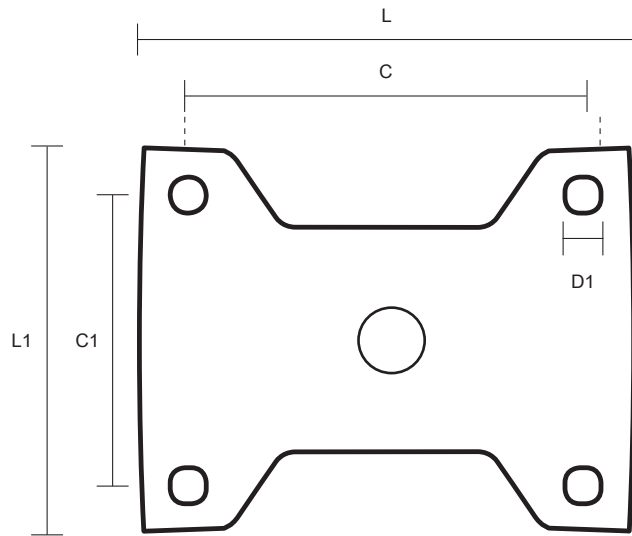


SF-160-NY (160mm Fixed Plate Castor High Temperature Phenolic Resin Wheel)



| Castor Dimensions - Key | | |
|-------------------------|--------------------------------|---------|
| D | Wheel Diameter | 160mm |
| L | Plate Dimension Length (mm) | 140mm |
| L1 | Plate Dimension Width (mm) | 110mm |
| C | Plate Hole Centres length (mm) | 105mm |
| C1 | Plate Hole Centres width (mm) | 80/75mm |
| D1 | Plate Hole Diameter (mm) | 10mm |
| H | Total Castor Height (mm) | 196mm |
| W | Tread Width (mm) | 40mm |
| R | Swivel Radius (mm) | N/A |