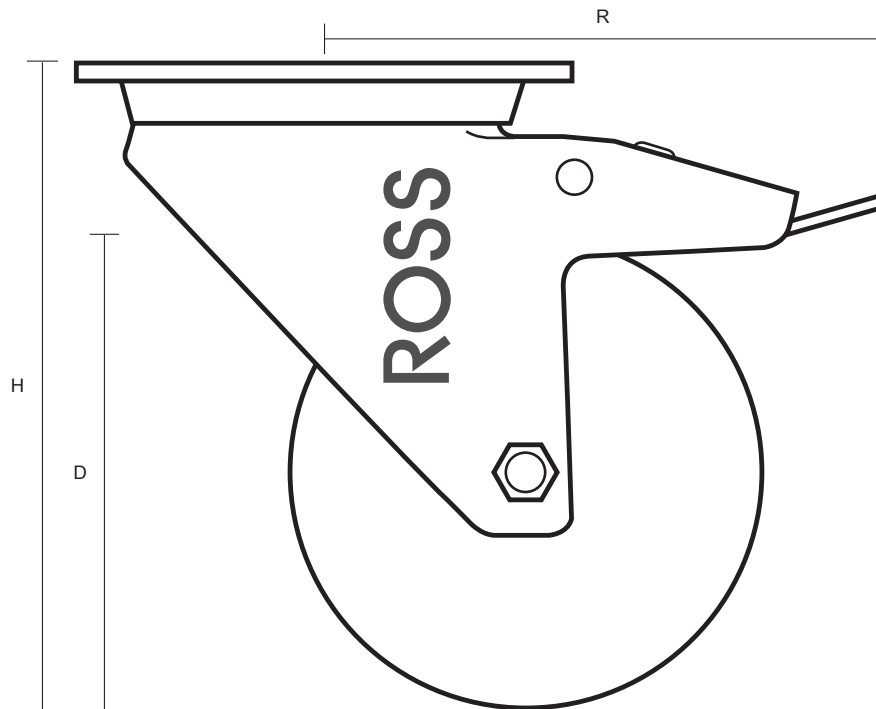
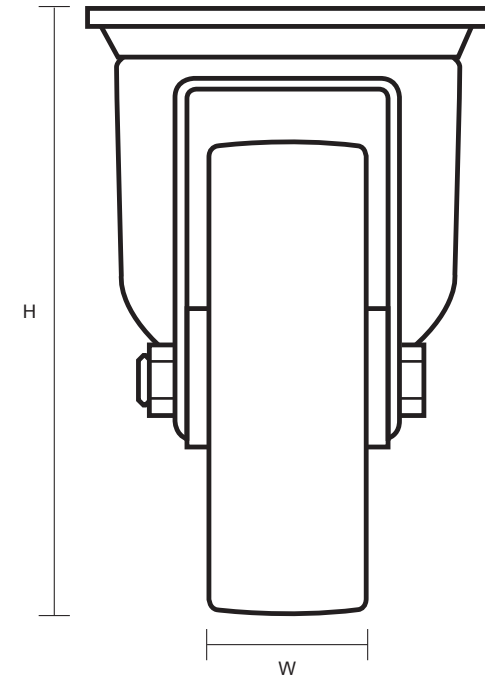
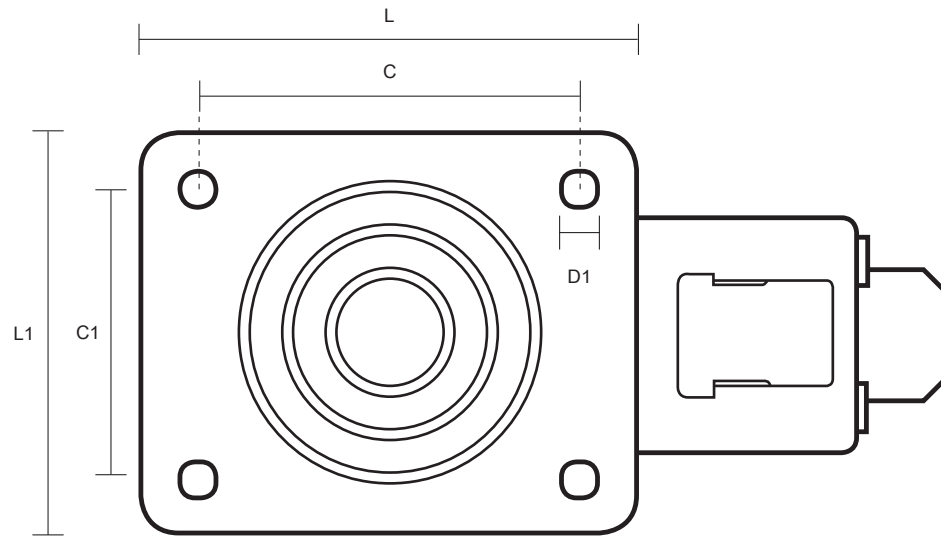


SS-80-TH/SWB (80mm Swivel Braked Top Plate Castor High Temperature Phenolic Resin Wheel)



| Castor Dimensions - Key | | |
|-------------------------|--------------------------------|-------|
| D | Wheel Diameter | 80mm |
| L | Plate Dimension Length (mm) | 105mm |
| L1 | Plate Dimension Width (mm) | 85mm |
| C | Plate Hole Centres length (mm) | 80mm |
| C1 | Plate Hole Centres width (mm) | 60mm |
| D1 | Plate Hole Diameter (mm) | 8mm |
| H | Total Castor Height (mm) | 108mm |
| W | Tread Width (mm) | 35mm |
| R | Swivel Radius (mm) | 120mm |